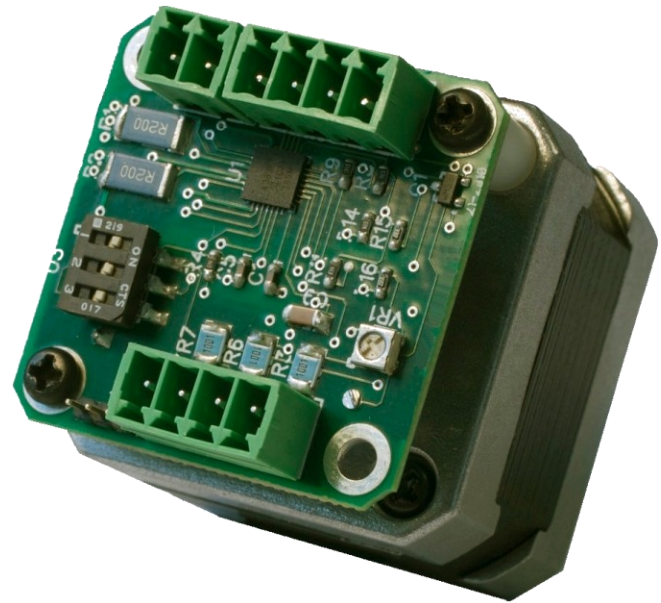


# OMD 17, Motor Drive

---

The OMD17 is an advanced stepper motor microstep drive that supports selectable step size resolution from full to step up to 1/16 microstep. It's small design is set up to mount on the back of a NEMA 17 size step motor or can be mounted remotely.



- Step Resolutions include full 1/2, 1/4, 1/8, & 1/16
- Single motor supply voltage +8V to +35V
- 0.0 to 1.5 Amp phase current (adjustable)
- Control voltage +5V to 20V (+10V to 30V option)
- Easy wiring with screw-terminal connectors
- No head-sink required

*"The Company in Motion"™*

---

## **OMS Motion**

15201 NW Greenbrier Pkwy, B-1  
Beaverton, Oregon 97006

Phone: 503-629-8081

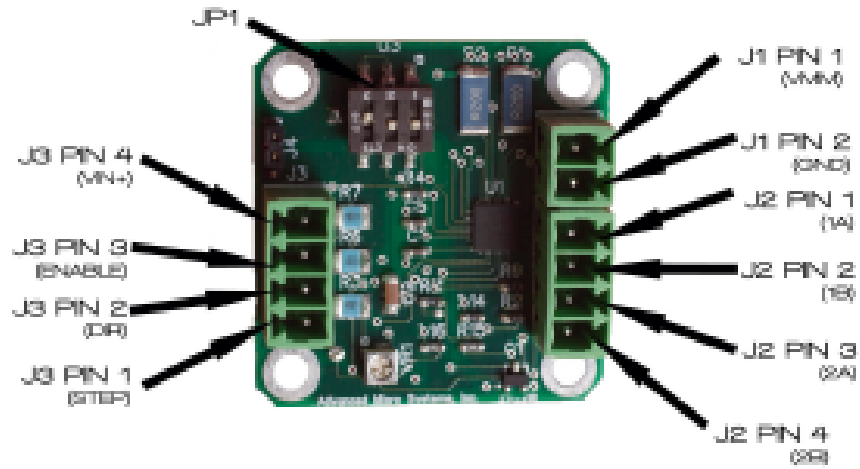
Fax: 503-629-0688

E-mail: [SalesOR@Pro-Dex.com](mailto:SalesOR@Pro-Dex.com)

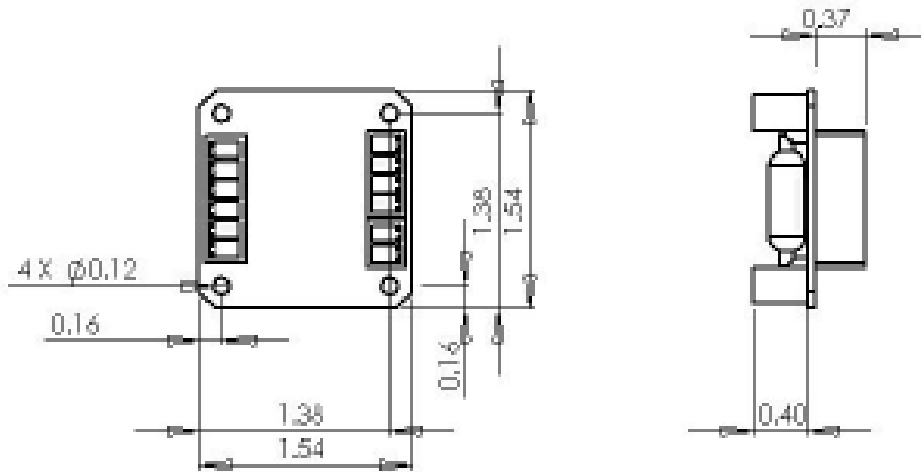
[www.OMSmotion.com](http://www.OMSmotion.com)



***"The Company in Motion"™***



Pin-out Diagram



Dimensions



ISO 9001  
QMI-SAI Global

ORDERING INFORMATION	
Model	Description
OMD17	Microstep Drive, 1.5A

**OMS Motion**  
15201 NW Greenbrier Pkwy, B-1  
Beaverton, OR 97006

Phone: 1(800) 707-8111, 503-629-8081  
Fax: 503-629-0688  
[www.OMSmotion.com](http://www.OMSmotion.com)



3701-xxxxxxx rev.B